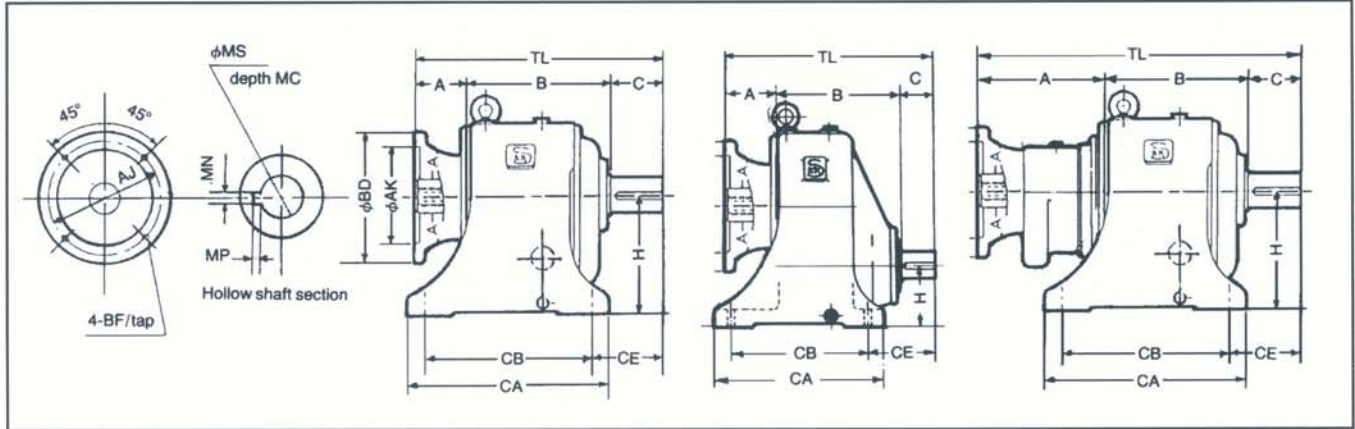


AFM C-face Reducer Unique Dimensions

All other dimensions are same as AFC – pages 14 -15.

16



"A" & "TL" Dimensions, Single Reduction

	Size	A	TL
20C-14	20S	3 ¹⁹ / ₃₂	9 ²³ / ₃₂
22C-14	25S	3 ³ / ₄	10 ¹⁵ / ₃₂
25C-18	30S	4 ³ / ₄	12 ¹³ / ₃₂
30C-18	35S	5 ¹ / ₁₆	13 ¹⁷ / ₃₂
35C-21	40S	5 ¹ / ₄	14 ¹ / ₂
40C-21	45S	5 ¹ / ₂	15 ¹³ / ₃₂

"TL" Dimension, Quadruple Reduction

20C-14	30-45DD	19 ¹ / ₈
	30-50DD	20 ¹¹ / ₃₂
	30-55DD	21 ¹¹ / ₁₆
	30-65DD	23 ⁹ / ₃₂
22C-14	35-50DD	21 ¹¹ / ₁₆
	35-55DD	21 ²⁷ / ₃₂
	35-65DD	24 ¹ / ₄
25C-18	35-75DD	26
	35-55DD	23 ²⁷ / ₃₂
	35-65DD	25 ¹ / ₄
30C-18	35-75DD	27
	35-80DD	29 ³ / ₈
	45-65DD	26 ¹⁷ / ₃₂
	45-75DD	28 ⁹ / ₃₂
35C-21	45-80DD	30 ¹⁵ / ₃₂
	45-90DD	32 ¹³ / ₃₂
	50-75DD	29 ¹ / ₄
	50-80DD	31 ¹³ / ₃₂
40C-21	50-90DD	33 ¹⁹ / ₃₂
	50-100DD	35 ³¹ / ₃₂
	55-90DD	34 ²⁷ / ₃₂
45C-25	55-100DD	37 ³ / ₁₆
	65-100DD	35 ⁵ / ₈

AFM Weights. Add the following weights to comparable AFC Style Units

20C-14 : 3 lb	30C-21: 6 lb	45C-25: 11 lb
22C-14 : 4 lb	35C-21: 7 lb	50C-25: 13 lb
25C-18 : 5 lb	35C-25: 9 lb	55C-28: 15 lb
30C-18 : 5 lb	40C-21: 8 lb	

AFM, Dimensions in inches

	AK	BD	AJ	BF	MS	MC	MN	MP
20C-14	4 ¹ / ₂	6 ⁷ / ₈	5 ⁷ / ₈	3 ³ / ₈	7 ⁷ / ₈	2 ¹ / ₄	3 ³ / ₁₆	3 ³ / ₂₂
22C-14	4 ¹ / ₂	6 ⁷ / ₈	5 ⁷ / ₈	3 ³ / ₈	7 ⁷ / ₈	2 ¹ / ₄	3 ³ / ₁₆	3 ³ / ₂₂
25C-18	8 ¹ / ₂	9	7 ¹ / ₄	1 ¹ / ₂	1 ¹ / ₈	2 ³ / ₄	1 ¹ / ₄	1 ¹ / ₈
30C-18	8 ¹ / ₂	9	7 ¹ / ₄	1 ¹ / ₂	1 ¹ / ₈	2 ³ / ₄	1 ¹ / ₄	1 ¹ / ₈
30C-21	8 ¹ / ₂	9	7 ¹ / ₄	1 ¹ / ₂	1 ³ / ₈	3 ³ / ₈	9 ¹ / ₁₆	5 ⁵ / ₃₂
35C-21	8 ¹ / ₂	9	7 ¹ / ₄	1 ¹ / ₂	1 ³ / ₈	3 ³ / ₈	9 ¹ / ₁₆	5 ⁵ / ₃₂
40C-21	8 ¹ / ₂	9	7 ¹ / ₄	1 ¹ / ₂	1 ³ / ₈	3 ³ / ₈	9 ¹ / ₁₆	5 ⁵ / ₃₂
40C-25	8 ¹ / ₂	10	7 ¹ / ₄	1 ¹ / ₂	1 ⁵ / ₈	4	3 ³ / ₈	3 ³ / ₁₆
45C-25	8 ¹ / ₂	10	7 ¹ / ₄	1 ¹ / ₂	1 ⁵ / ₈	4	3 ³ / ₈	3 ³ / ₁₆
50C-25	8 ¹ / ₂	10	7 ¹ / ₄	1 ¹ / ₂	1 ⁵ / ₈	4	3 ³ / ₈	3 ³ / ₁₆
55C-28	10 ¹ / ₂	11	9	1 ¹ / ₂	1 ⁵ / ₈	4 ¹ / ₂	1 ¹ / ₂	1 ¹ / ₄

"A" Dimension, Double Reduction or Intermediate Unit on Quad

	30D	35D	45D	50D	55D	65D	75D	80D	90D	100D
20C-14	3 ¹⁹ / ₃₂	3 ¹⁹ / ₃₂								
22C-14	3 ³ / ₄	3 ³ / ₄								
25C-18	4 ³ / ₄	4 ⁷ / ₁₆	4 ⁷ / ₁₆							
30C-18		5 ¹ / ₁₆	4 ³ / ₁₆	4 ³ / ₁₆						
30C-21					4 ¹ / ₂					
35C-21			5 ¹ / ₄	4 ²⁹ / ₃₂	4 ²⁹ / ₃₂					
40C-21				5 ¹ / ₂	5 ¹ / ₈	5 ¹ / ₈				
40C-25						6				
45C-25						6	6			
50C-25							7 ¹ / ₂	7 ¹ / ₂	7 ¹ / ₂	
55C-28								7 ¹ / ₂	7 ¹ / ₂	7 ¹ / ₂

"TL" Dimension, Double Reduction

	30D	35D	45D	50D	55D	65D	75D	80D	90D	100D
20C-14	11 ¹ / ₄	12 ²¹ / ₃₂								
22C-14		12 ¹³ / ₁₆	13 ³¹ / ₃₂							
25C-18		12 ¹³ / ₁₆	14 ²¹ / ₃₂	15 ⁷ / ₈						
30C-18			14 ²⁹ / ₃₂	15 ⁵ / ₈	16 ³¹ / ₃₂					
30C-21						18 ¹¹ / ₁₆				
35C-21						16 ¹¹ / ₁₆	17 ¹¹ / ₁₆	19 ³ / ₃₂		
40C-21						18 ⁹ / ₃₂	19 ⁵ / ₁₆	21 ¹ / ₁₆		
40C-25							21 ¹⁹ / ₃₂			
45C-25						20 ³ / ₁₆	21 ¹⁵ / ₁₆	24 ¹ / ₈		
50C-25							23 ³ / ₈	25 ⁵ / ₈	27 ⁹ / ₁₆	
55C-28								25 ⁵ / ₈	27 ⁹ / ₁₆	29 ¹⁵ / ₁₆